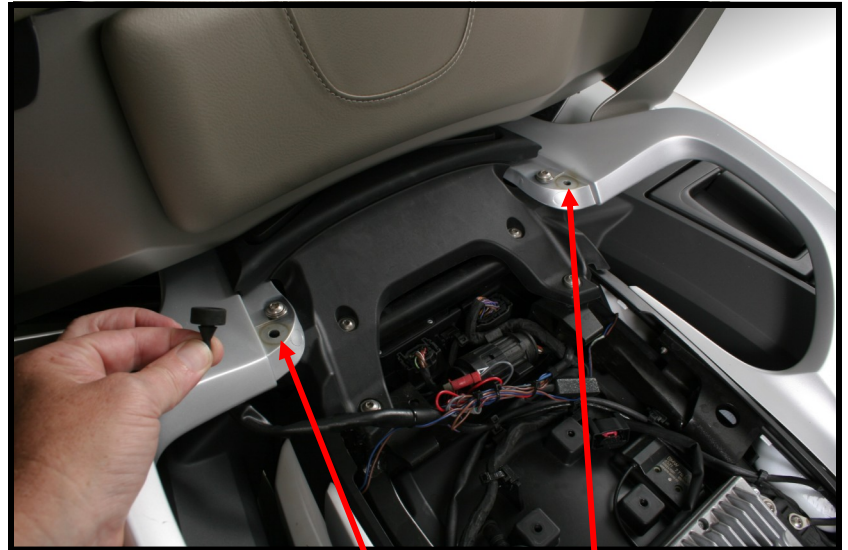


**BMW K 1600 GTL EXCLUSIVE
PRE-INSTALLATION INSTRUCTIONS**

⚠ Preparation

**IMPORTANT!
BMW K 1600 GTL
EXCLUSIVE ONLY**



Assembly:

The two rubber bumpers shown on the right images MUST be removed prior to installation of the Sargent Seat.

Once this operation is complete, please follow the remainder of the instructions attached.



**BMW K 1600 GT / GTL / EXCLUSIVE
SARGENT WORLD SPORT PERFORMANCE SEAT
INSTALLATION GUIDE**

To protect your heated seats from wiring, lock or key damage, please read all instructions carefully before beginning this installation.

Your new Sargent Seat has been designed to allow owners to use their OEM keys on their new Sargent Seat. No additional keys to carry!

These instructions are for installing your OEM heat switch and lock set into your new Sargent World Sport Seat.

Tools Required

Smooth protected work surface
Phillips screwdriver
Small slot/flathead screwdriver
Size T20 Torx driver (K 1600 GTL only)
Paper clip or similarly shaped tool (K 1600 GT only)

WARNING

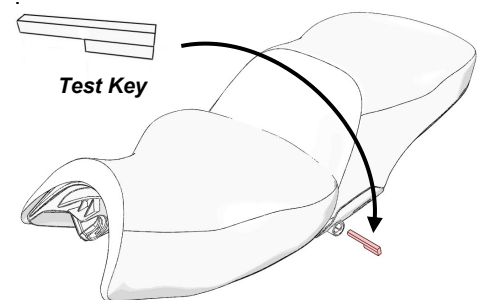
Your rear Sargent Seat is supplied to you with a zip tie holding the latch rod and spring in place.

Do not remove zip tie until instructed to do so later in these instructions.

Do not attempt to use your key in the lock until these installation instructions are complete and the zip tie has been removed. Any attempt to use your key in the lock before the zip tie is removed may result in damage to your key and / or the lock.

Test Fit Key

A test fit key is provided and allows for installing and test riding the Sargent World Sport Performance seat on the motorcycle prior to changing the lock-set. The key can be inserted into the open lock bezel assembly to release the seat once it has been locked in place, thus eliminating the need for the OEM key for seat removal. *For limited use only.*



Note

K 1600 GTL EXCLUSIVE owners
An additional, optional purchase of BMW part #77348520028 is recommended by BMW for those GTL owners who wish to convert from the one-piece OEM seat to the two-piece OEM seats. This kit is not required for mounting the seat or safe operation, but rather it is made to hide a gap between the bike's body work and the seat. This kit will also will work with the Sargent two-piece seat.

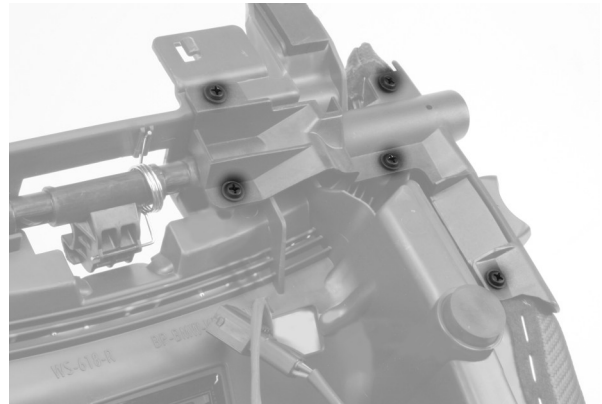
Switch Plate Removal

K 1600 GT

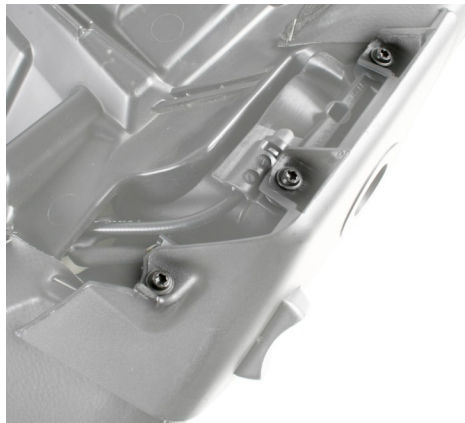
Note: K 1600 GT owners may re-use OEM switch plate on Sargent Seat or Sargent switch plate provided with your new Sargent Seat.

K 1600 GTL EXCLUSIVE owners must use switch plate as provided by Sargent.

Remove switch plate on the stock seat by removing 5 screws shown using a Phillips head screwdriver.



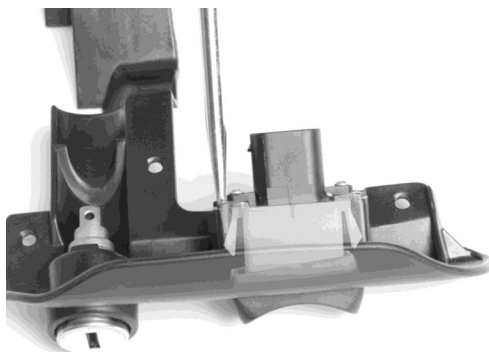
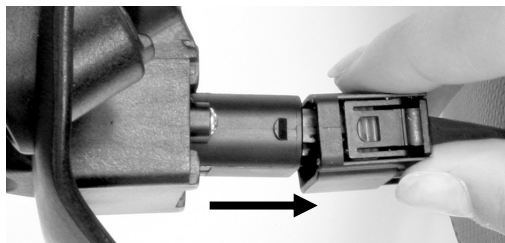
K 1600 GTL EXCLUSIVE



Remove switch plate on the stock seat by using a size T20 Torx to remove 3 screws shown.

K 1600 GT / GTL / EXCLUSIVE

Unplug electrical connector attached to heat switch behind switch plate.



Using a flathead screw driver, remove the heat switch by gently pressing the retaining fingers on each side of the heat switch towards the body of the switch to release it from the switch plate as shown.

Gently push the switch out of the switch plate, from the back towards the front until the switch is removed. Set switch aside.

Lock Removal

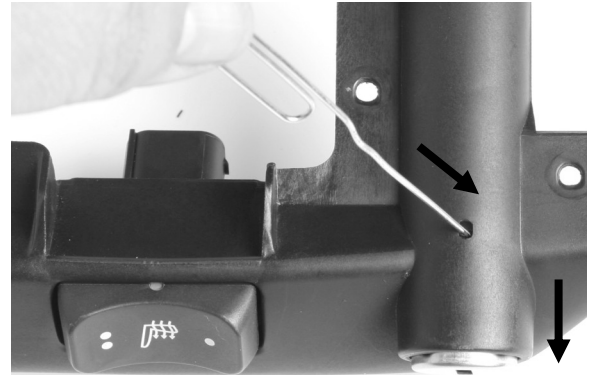
K 1600 GT

K 1600 GT owners can skip this step if re-using OEM switch plate.

Using a small pointed object like a paper clip, gently press in the lock's retaining key through the hole in the switch plate located under the lock to release it.

Slide the lock barrel free and out of the switch plate.

Set lock aside.



Take note of the position of the three spring-loaded bars on top of the lock barrel as it comes out of the switch plate shown.

The lock must be re-installed in the same position during re-assembly with these three bars pointed toward the bottom edge of the switch plate.



K 1600 GTL EXCLUSIVE

Take note of the position of the three spring-loaded bars on top of the lock barrel as it comes out of the switch plate shown.

The lock must be re-installed in the same position during re-assembly. These three bars pointed toward the bottom edge of the switch plate.

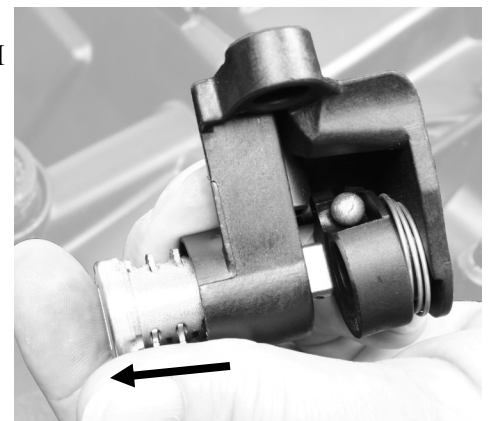


Once the switch plate is removed, grasp the lock bracket (still attached to the OEM seat via the cable release).

Using a flathead screw driver, gently press the lock's retaining key while pressing the lock's barrel toward the key opening with your thumbnail as shown.

Slide the lock barrel out of the bracket as shown. The lock will come out all in one piece.

Set lock aside.



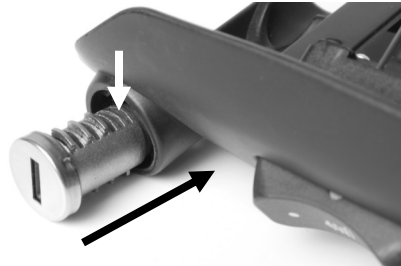
Re-installing Lock & Switch into Sargent Switch Plate

K 1600 GT / GTL / EXCLUSIVE

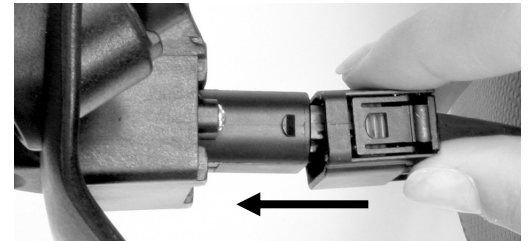
K 1600 GT owners can skip lock and switch installation of this step if re-using OEM switch plate.

From the front of the switch plate, insert OEM lock with the three spring-loaded bars on the lock body shown facing the curved edge of the switch plate as shown.

From the front of the switch plate, insert OEM heat switch into the switch plate until it's firmly in place.



On the rear Sargent Seat, locate the 4-pin plug and plug it into the switch mounted onto the switch plate as shown.



Note: You may have to rotate the latch rod back and forth slightly while you slide the switch plate assembly in place to allow the lock barrel to properly engage into the latch rod.

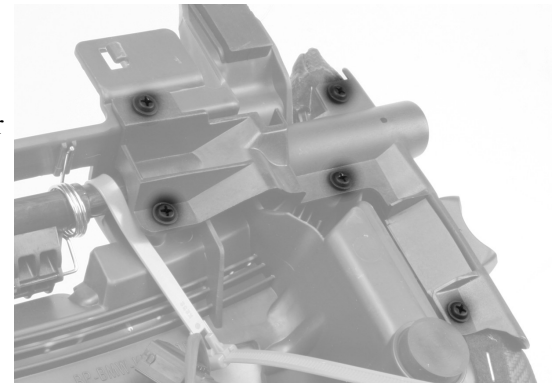
Install switch plate by guiding the lock barrel tab into the end of the latch rod as shown.

Once the lock tab is fully engaged with the latch rod, the screw holes in the switch plate and pan should line up. Hold switch plate in place while installing the screws.

Gently snug the screws. Do not over tighten. Over tightening may strip the threads.



Lock barrel (left) fits into the notched latch rod (right).



K 1600 GTL EXCLUSIVE owners, please continue to the next page for further instructions about installing your new Sargent heated seat.

Remove the red releasable zip tie in the area shown.

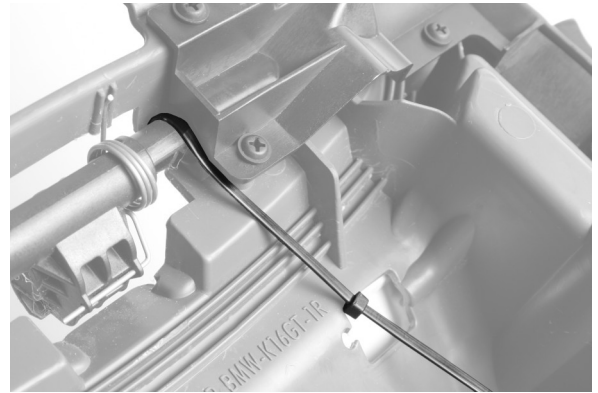
Gently pull out the zip tie by the “head” or fastener to allow the latch rod to rotate freely.

It is now safe to use your key in the lock.

K 1600 GT owners may now mount the new Sargent seats.

Optional, rear seat thumbscrews have been provided for added convenience.

Your Sargent seats comes with OEM compatible heat plugs for plug and play convenience.



Seat Height Adjustment

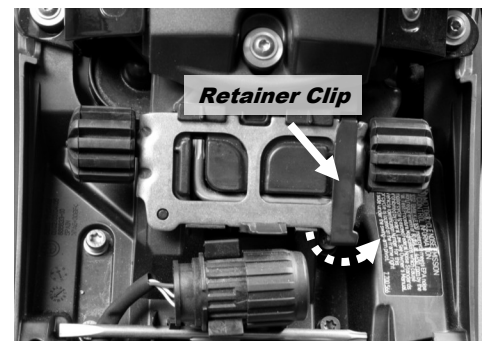
K 1600 GT

See your BMW K 1600 GT owner’s manual for instructions on seat height adjustment.

K 1600 GTL EXCLUSIVE

The Low setting, with the safety retainer in place, is shown on right. The safety retainer will need to be removed to change the seat to the high setting. To remove the clip, rotate the bottom to the right and lift up to disengage.

If you elected to purchase the cosmetic kit listed on the opening page of this instruction, install it now per the instructions included with that kit.



Note

Should it ever become necessary to re-install the stock one piece seat , the above operation must be reversed. The mechanism must be oriented in the low position and the safety retainer reinstalled.

Rear Seat Installation

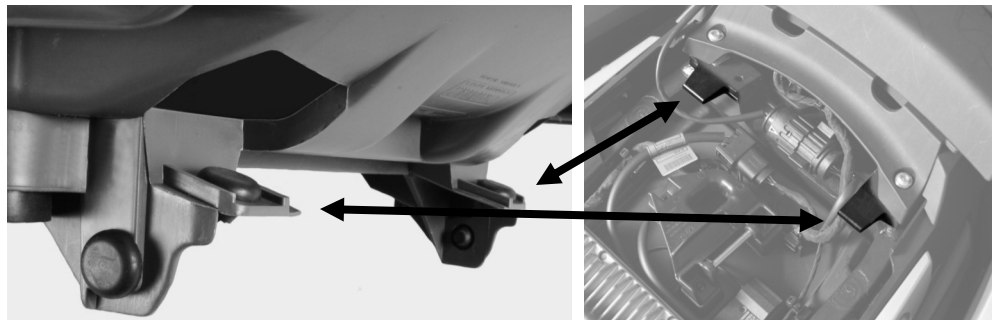
K 1600 GT / GTL / EXCLUSIVE

Note: Make sure the 2-pin heat seat connector, attached near the front of the rear seat, is extended out toward the front of the bike. This will connect to the front seat after the rear seat is secured.

Sargent now provides Plug and Play heat plugs specifically for your BMW. However, the way the two-piece Sargent Seat heat connectors attach to your bike is slightly different than your OEM one piece seat. This guide will familiarize you with this process.

With your OEM seat removed, locate the 6-pin master receptacle on your motorcycle. Plug this receptacle into your new Sargent rear seat connector.

Once your rear seat is connected, you must install your rear seat before connecting and installing the front seat.



Insert the seat, rear first, so the seat captures (flanges on left image) are under the metal tabs (on right image). Take care not to pinch any wiring.



Next, locate the two OEM threaded inserts located on the frame on either side of the battery.

Using the two thumb screws included with your Sargent Seat, secure the front of the rear seat through the bushings into threaded holes on the frame. Tighten the thumb screws until snug.

Front Seat Installation

K 1600 GT / GTL / EXCLUSIVE

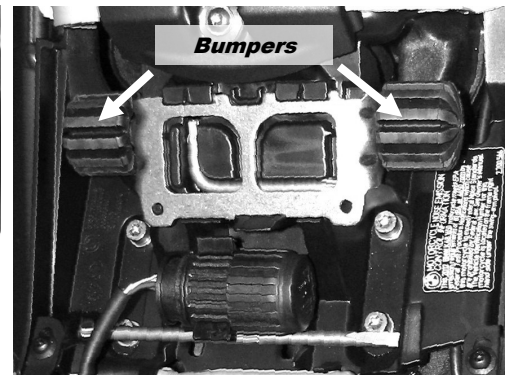
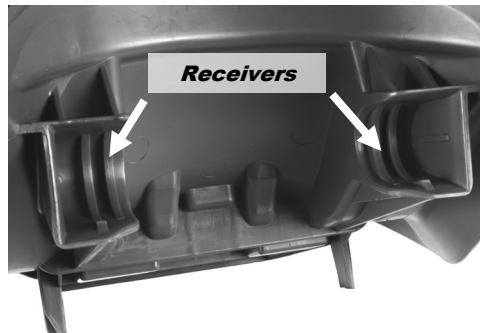
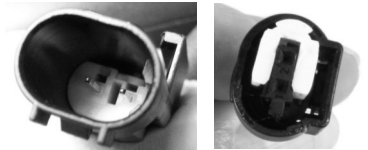
*Note: K 1600 GTL owners
An additional, optional purchase of BMW part #77348520028 is recommended by BMW for those GTL owners who wish to convert from the one-piece OEM seat to the two-piece OEM seats. This kit is not required for mounting the seat or safe operation, but rather it is made to hide a gap between the bike's body work and the seat. This kit will also work with the Sargent two-piece seat.*

Complete instructions for installing and adjusting the two-piece seat is included with the optional BMW cosmetic kit #77348520028. You may also refer to page 5 of this document, "Seat Height Adjustment" for information and warnings.

Now that your rear seat is secured, you can connect the heat and install the front seat.

Connect your rear seat heat plug to the front seat heat plug.

Install the front seat by engaging the two receivers with the two support bumpers in the bike's seat height adjustment mechanism. Lower the back of the front seat onto the rear seat latch, with firm pressure, engage the lock.



Now you're ready to ride!

