

**! IMPORTANT:**

Read instructions in their entirety before installation.

**! IMPORTANT:**

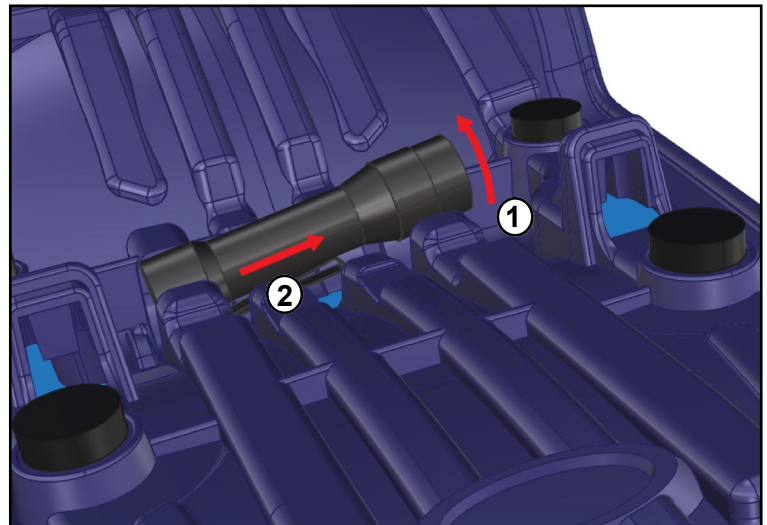
Be certain that the mid and rear seat “HOLDS”, #3 as referenced in the OEM owners manual, are engaged. Pull up on the seat after installation and/or visually confirm their engagement, otherwise damage may occur.

**BMW F-750 / F-850GS 2019+  
SEAT INSTALLATION INSTRUCTIONS**

**Tools Required:** None.

**Seat Installation:** This seat is removed and installed the same as the OEM seat. Be certain that all four “HOLDS” are properly engaged. To verify this visually check the mid-seat holds and pull up on the seat to confirm all connections.

**Flashlight Instructions:** To remove flashlight, lift front of flashlight up slightly, ① and then slide forward to remove. ② To reinstall flashlight, engage clip and reverse the operation.



**! WARNING:**

Never attempt to charge non-rechargeable batteries. This could result damage to the device or fire.