

TRIUMPH TIGER 900/850 2020+ INSTALLATION INSTRUCTIONS

⚠ ATTENTION

READ THE INSTRUCTIONS IN THEIR ENTIRETY BEFORE BEGINNING INSTALLATION.

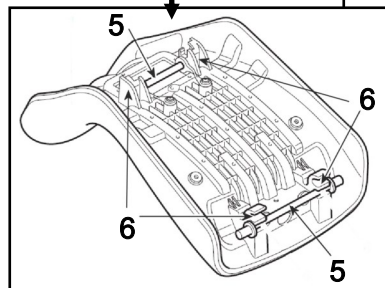
⚠ WARNING:

Failure to install properly can result in damage to your SARGENT seat and an unstable riding condition. Warranty does NOT cover damaged caused by improper installation.

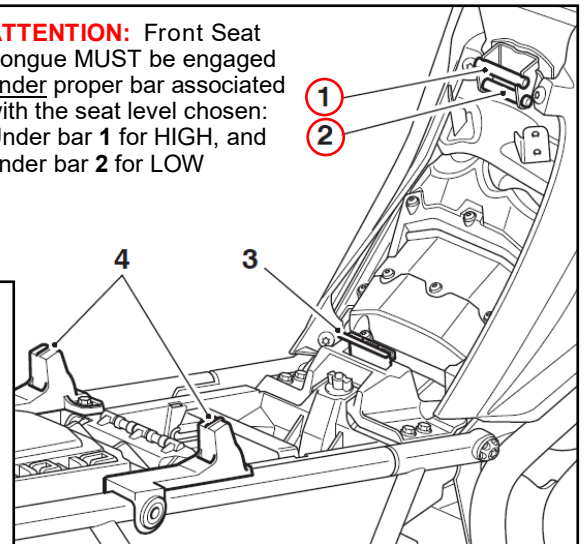
FRONT SEAT:

1. Your Sargent World Sport Seat installs and adjusts exactly like the stock seat. Be sure that seat bars 5 are properly engaged with features 3 and 4. See owner's manual for detailed instructions, and diagram (left) and additional instructions and precautions.

Configure front seat for HIGH or LOW riding position by adjusting bars 5 into slots 6. DO NOT mix HIGH and LOW positions. Both bars must be in the same chosen position.



ATTENTION: Front Seat Tongue MUST be engaged under proper bar associated with the seat level chosen: Under bar 1 for HIGH, and under bar 2 for LOW



REAR SEAT:

1. Your Sargent World Sport Seat installs and adjusts exactly like the stock seat. See OEM manual for general instructions.

3. Pay special attention to Rear-Seat Tab engagement as illustrated (right).

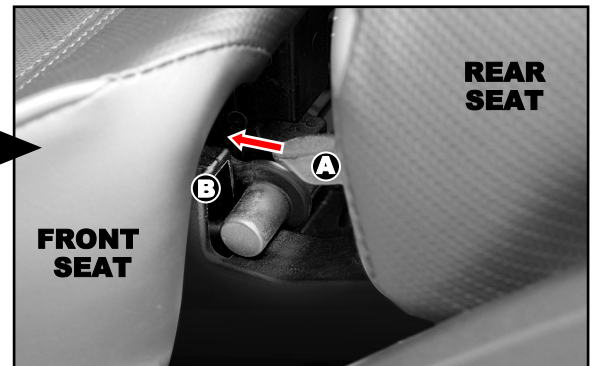
When installing the Rear Seat, it is critical to guide Rear Seat Tabs A into Slots B.

4. Once Rear Seat is installed, confirm that Tabs A are engaged by pulling up on front of the Rear Seat. The Rear Seat will not move or lift-up if correctly installed.

NOTE: Failure to engage Rear Seat Tabs A properly may result in seat damage and an unstable seating condition.



INCORRECT!



**CORRECT!
TAB A MUST
BE IN SLOT B**

